



Assembly Instructions for 4" (100mm) high Aluminium Base

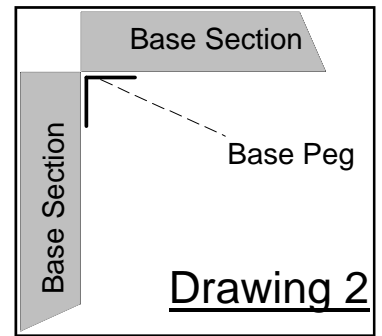
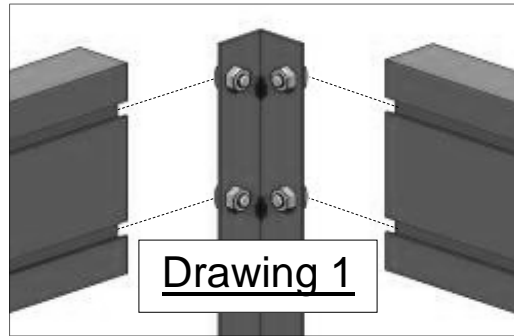
If you are installing the base on a hard surface such as concrete or paving slabs, then the four Base Pegs will need to be cut down to 95mm (3 3/4") in length (see greenhouse instruction manual).

If you are installing on a loose surface, the area must be level and firm.

One Base Peg fits at each corner of the base. Bolt the Base Pegs to the Base Sections by sliding bolts into the channels of the Base at each corner as shown in Drawings 1 & 2.

Attach the Base Pegs and secure with the nuts provided.

Base Pack Contents	
Nuts and Bolts	24
Base Sections	4
Base Pegs	4
Base to frame brackets	10
Nuts and Crop Bolts	10



Locate the base in position and check that the base is square by measuring across the diagonals. These two measurements **MUST** be equal.

If fitting on soil, you will need a hole for each anchor leg to go into, approx 1' square. Locate the base so that the anchor leg is suspended roughly in the middle of the hole. To anchor down you put a couple of shovels full of concrete in the holes around the legs. You should be careful about anchoring down too early— unless you are 100% sure that the base is square and level. **IMPORTANT** — Our advise is to leave the anchoring down until you have finished the greenhouse incase you need to adjust the base (see last stage of instructions).

Warning - The four sides of the base should be level and the diagonals must be equal, otherwise it will be difficult to erect and glaze the greenhouse. Check with spirit level.

Once the greenhouse frame is complete but unglazed, position the greenhouse on the base and secure through the cills of the greenhouse into the Base Sections, using the remaining nuts and bolts supplied and the 'base to frame brackets' (see section 4 in your instruction manual and right). Take care not to place the bolt where it will foul the glazing. (use a 6mm drill for this)



We recommend that you only anchor your greenhouse down to the floor once you are happy that it is level and square. Preferably after glazing, so that you know that the glass will go in. If you ever have to leave your greenhouse half assembled and not anchored down, weigh it down with slabs or bags of sand to stop the wind moving it.

- It is important that your base is secured to the ground. If you are installing on **soil**, put a shovel full of concrete around each anchor leg in a hole.
- If installing on **concrete/ slabs**, drill through the lower outer flange of the base (at an angle, see right) with a 7mm hammer drill. Use brown rawl plugs and 2" no.10 screws to fix it down (not provided).

